

Born for Industrial Safety



Defender™ (NJZ-FEL-C Series)

Hazardous Location LED Luminaire

Defender™

Hazardous Location LED Luminaire

NJZ-FEL-C Series



Product description

The Defender™ NJZ-FEL-C Series LED Luminaire is designed for installations where moisture, dirt, dust, corrosion and vibration may be present, or areas where wind, water, snow or high ambient can be expected.

They can be used in locations made hazardous by the presence of flammable vapors or gases or combustible dusts as defined by the ATEX / IECEx.

NJZ FEL-C Series is ideal for retrofit of existing HPS/MH and offers higher efficacy for increased energy savings, lower maintenance costs and shorter paybacks.

Features

- Best-in-class system efficacy-Up to 130Lm/W
- Universal Voltage: AC100-240/277,347-480 (50/60Hz)
- Instant illumination and restrike-no warm-up time required
- Safe and reliable heat transfer
- Shock-and vibration-resistant-Durable LEDs with solder-less board connection
- Copper-free aluminum body and frame-corrosion resistant
- All exposed fasteners with quality stainless steel
- High Temperature silicone gasketing
- Thermal shock and impact resistant glass lens
- Harsh & Hazardous Duty

Compliance

IEC/ATEX Standard

Ex d IIB T6 Gb
Ex tb IIIC T85°C Db
Zone 1&2 (Explosive gas)
Zone 21&22 (Combustible dust)
IP66
IK09
5G vibration
1000hrs salt spray

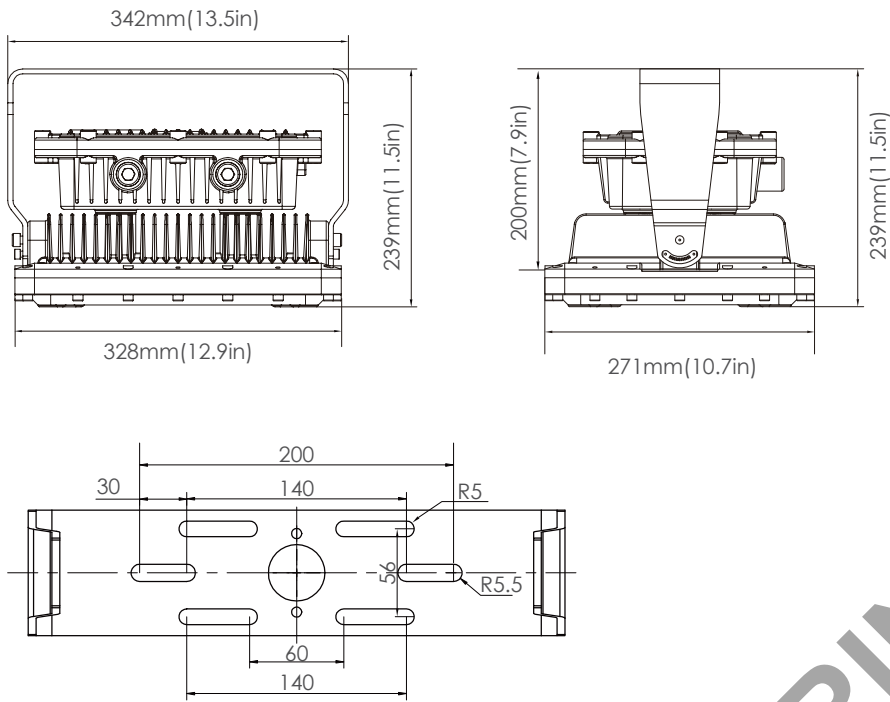
Application

- Power Plants
- Heavy Industrials Storage Facility
- Paper mills
- Wastewater Treatment Plants
- Loading Docks Platforms
- Shipyards
- Chemical Processing Facility
- Petrochemical Processing Facility

Warranty

5-Year Standard Warranty

Product Dimensions

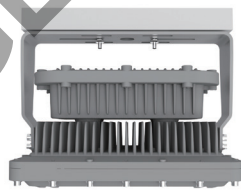


Model	Net weight	Dimensions (L×W×H)	Gross weight	Dimensions (L×W×H)
NJZ-FEL-C-080	15.2kg/33.5lbs	328×271×176mm 12.9×10.7×6.9in	16.2kg/35.7lbs	412×372×270mm 16.2×14.6×10.6in
NJZ-FEL-C-100	15.3kg/33.7lbs		16.3kg/35.9lbs	
NJZ-FEL-C-150	15.5kg/34.2lbs		16.5kg/36.4lbs	

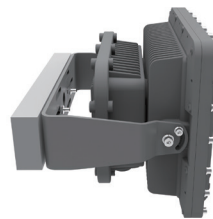
Mounting



Pole Type



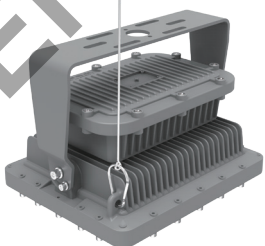
Ceiling Type



Wall Type



Glare shield installed



Safety cable installed

Technical Parameter

Electrical

Specification	NJZ-FEL-C-080	NJZ-FEL-C-100	NJZ-FEL-C-150	
Rated Power	80W	100W	150W	
Input Voltage	AC120-277, 347-480V			
Input Frequency	50/60Hz			
Input Current	(AC120/277V)	0.63/0.29A	0.82/0.36A	1.7/0.54A
	(AC347/480V)	0.24/0.17A	0.29/0.21A	0.43/0.31A
Power Factor	≥0.95			
Driver Efficiency	≥90%			
Surge Protection	4kv			

Optical

Specification	NJZ-FEL-C-080	NJZ-FEL-C-100	NJZ-FEL-C-150
Lumen Output	10400Lm	13000Lm	19500Lm
Lumens Per Watt	130Lm/W*		
Beam Angle	25°/60°/120°		
Correlated Color Temperature (CCT)	3000K/4000K/5000K		
Color Rendering Index (CRI)	Ra>70		

*value calculated based on 5000K ,varies to different spec

Environmental

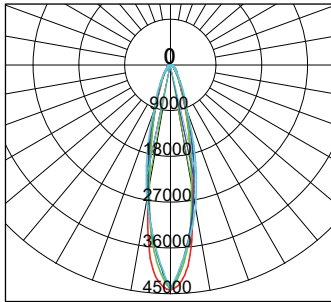
Specification	NJZ-FEL-C-080	NJZ-FEL-C-100	NJZ-FEL-C-150
Ambient Operating Humidity	5%~95% RH		
Ambient Operating Temperature	-25°C~+50°C		
Optimal Operating Temperature	25°C		

Mechanical

Specification	NJZ-FEL-C-080	NJZ-FEL-C-100	NJZ-FEL-C-150
Housing Material	Copper-free Aluminum		
Lens Material	Tempered glass		
Hardware	Stainless steel 316		
Color	Dark Grey (RAL7037)		
Finish	Polyester powder coating for uniform corrosion resistance		
Protection	IP66/IK09/5G vibration/1000hrs salt spray		
Mounting	Pole, Ceiling,Wall		
Installation	MIN 90°C SUPPLY CONDUCTORS		
Cable entries	2 x NPT3/4 (two rear)		
Termination	3 x WAGO 221-415 (max. 4 mm²,5-conductor,with levers)		

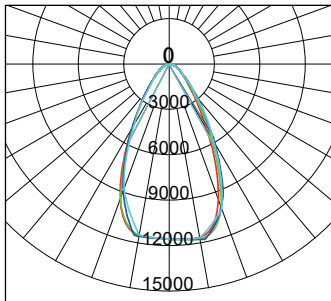
Photometric

25 Degree



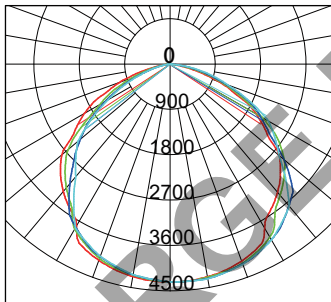
- C0/180,22.4
- C30/210,21.5
- C60/240,23.7
- C90/270,25.8

60 Degree



- C0/180,56.0
- C30/210,56.7
- C60/240,58.4
- C90/270,56.9

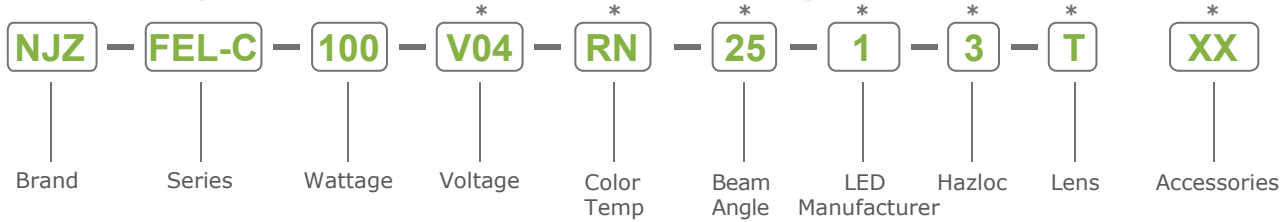
120 Degree



- C0/180,114.5
- C30/210,114.1
- C60/240,110.6
- C90/270,113.2

ENLARGED ENGINEERING CO., LTD

Ordering Information and Mounting Accessories



*: Suffix not within nomenclature as per Certification, for marketing purpose only

BRAND

NJZ

SERIES

FEL-C

WATTAGE

080=80W
100=100W
150=150W

VOLTAGE

V01= AC100-240/277V
V04= AC200-480V

COLOR TEMP

RN= 3000K (Warm White)
RL= 4000K (Neutral White)
RZ= 5000K (Neutral White)

BEAM ANGLE

25=25°
60=60°
120=120°

LED MANUFACTURER

Blank= OSRAM GW CSSRM2.PM

HAZLOC

3=Zone1,Zone21

LENS

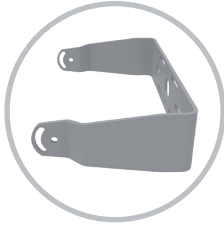
T=Transparent glass

ACCESSORIES

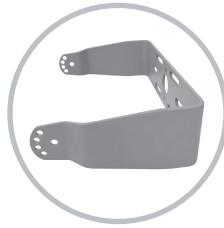
UB01=Stainless steel U-Bracket
UB03=Anti-vibration U-bracket
UB04=360Deg rotation U-bracket
SN01=Stanchion slip fitter for Dia 54-62mm range pole (Gray finish)
SP01=10kv Surge Protector 100~277V
WG01=Stainless Steel Wire guard
SC01=Stainless Steel Safety Cable
LS05=Glare Shield

ENLARGE ENGINEERING CO. LTD

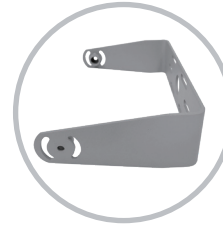




UB01
Ceiling/Wall Type
Stainless steel U-Bracket



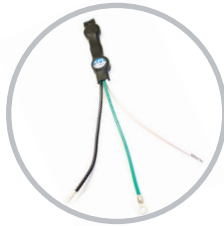
UB03
Anti-vibration
U-bracket



UB04
360Deg rotation
U-bracket



SN01
Pole Type
Stanchion



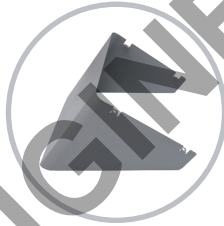
SP01
10KV Surge Protector



WG01
Stainless Steel
Wire guard



SC01
Stainless Steel
Safety Cable



LS05
Glare Shield
Stainless Steel SUS304

ENLARGE ENGINEERING CO., LTD